

NAIL FIN INSTALLATION

Max Frame	DP RATING	IMPACT
48 x 84	+35/-40	NO

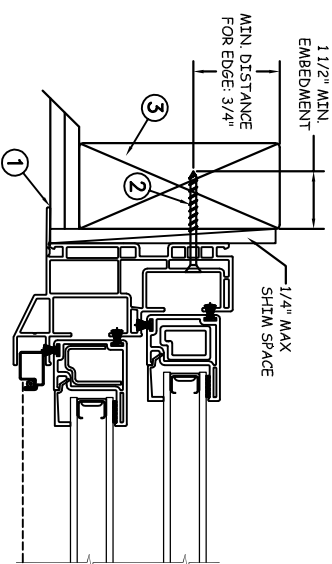
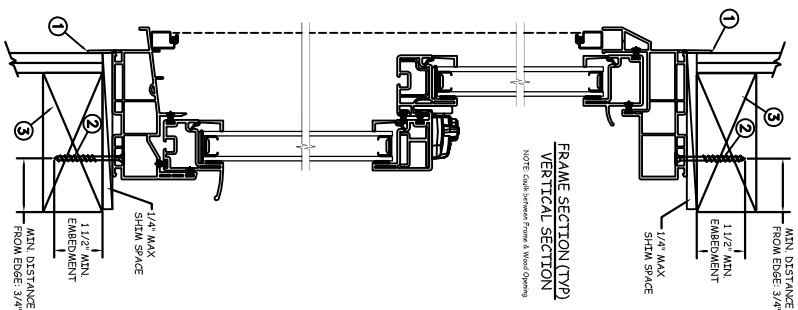
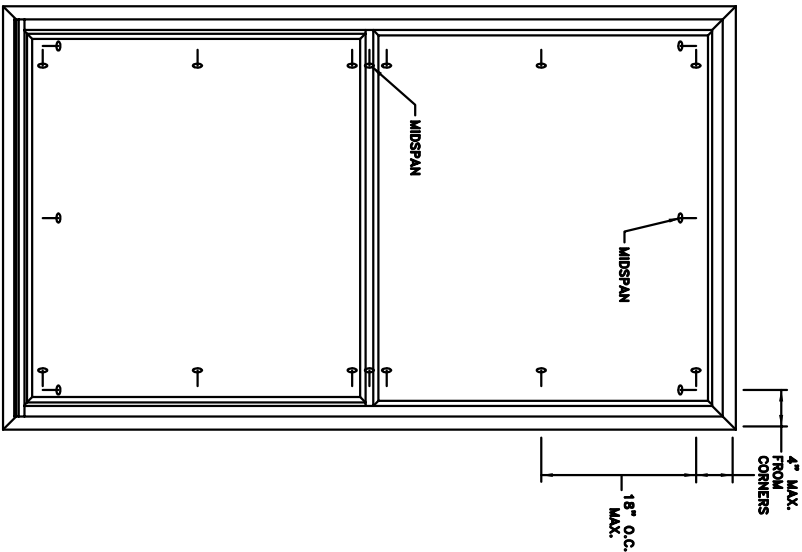
- Installation Notes:**
1. Seal flange/frame to substrate.
 2. Use #8 PH or greater fastener through the nail fin with sufficient length to penetrate a minimum of 1 1/2" into the wood framing. For two (2X) wood frame substrate (min. S.G. = 0.42).
 3. Host structure (wood buck, masonry, steel) to be designed and anchored to properly transfer all loads to the structure. The host structure is the responsibility of the architect or engineer of record for the project of installation.

- General Notes:**
1. The product shown herein is designed, tested and manufactured to comply with the wind load criteria of the adopted International Building Code (IBC), the International Residential Code (IRC), the Florida Building Code (FBC) excluding HVHZ and the industry requirement for the stated conditions.
 2. All glazing shall conform to ASTM E1300.
 3. At minimum, glazing shall be 3.0mm annealed - 12.7mm airspace - 3.0mm annealed insulating glass.
 4. Use structural or composite shims where required.

This schedule addresses only the fasteners required to anchor the window to achieve the rated design pressure up to the size limitations noted. It is not intended as a guide to the installation process and does not address the sealing consideration that may arise in different wall conditions. For the complete installation procedure, see the instructions packaged with the window or go to www.jeld-wen.com.

DISCLAIMER:
This drawing and its contents are confidential and are not to be reproduced or copied in whole or in part or used or disclosed to others except as authorized by JELD-WEN Inc.

PROJECT ENGINEER: A. McMILLAN	DATE: 11/30/17		3737 Lakeport Blvd Klamath Falls, OR, 97601 Phone: (800) 535-3936
DRAWN BY: A. McMILLAN	SCALE: NTS		
CHECKED BY: J. GOOSSEN	TITLE: Premium Vinyl Tilt Double Hung Window		
APPROVED BY: J. GOOSSEN			
PART/PROJECT No.: D014484			
IDENTIFIER NO. ESP024843P.3	PLANT NAME AND LOCATION:	CAD DWG. No.: Prem/VinY/1TDH	REV: A SHEET 1 OF 4



**THROUGH FRAME
INSTALLATION**

**JAMB SECTION (TYP)
HORIZONTAL SECTION**
NOTE: Gasket between Frame & Wood Opening

Max Frame	DP RATING	IMPACT
48 x 84	+35/-40	NO

Installation Notes:

1. Seal flange/frame to substrate.
2. Use #8 PH or greater fastener through the nail fin with sufficient length to penetrate a minimum of 1 1/2" into the wood framing. For two (2X) wood frame substrate (min. S.G. = 0.42).
3. Host structure (wood buck, masonry, steel) to be designed and anchored to properly transfer all loads to the structure. The host structure is the responsibility of the architect or engineer of record for the project of installation.

General Notes:

1. The product shown herein is designed, tested and manufactured to comply with the wind load criteria of the adopted International Building Code (IBC), the International Residential Code (IRC), the Florida Building Code (FBC) excluding HVHZ and the industry requirement for the stated conditions.
2. All glazing shall conform to ASTM E1300.
3. At minimum, glazing shall be 3.0mm annealed - 12.7mm airspace - 3.0mm annealed insulating glass.
4. Use structural or composite shims where required.

This schedule addresses only the fasteners required to anchor the window to achieve the rated design pressure up to the size limitations noted. It is not intended as a guide to the installation process and does not address the sealing consideration that may arise in different wall conditions. For the complete installation procedure, see the instructions packaged with the window or go to www.jeld-wen.com.

DISCLAIMER:

This drawing and its contents are confidential and are not to be reproduced or copied in whole or in part or used or disclosed to others except as authorized by JELD-WEN Inc.

PROJECT ENGINEER: A. McMILLAN	DATE: 11/30/17	JELD-WEN Klamath Falls, OR, 97601 Phone: (800) 535-3936
DRAWN BY: A. McMILLAN	SCALE: NTS	
CHECKED BY: J. Goossen	TITLE: Premium Vinyl Tilt Double Hung Window	3737 Lakeport Blvd
APPROVED BY: J. Goossen		
PART/PROJECT No.: D014484		
IDENTIFIER NO.: ESP024843P.3	PLANT NAME AND LOCATION:	
	CAD DWG. No.: PremVinj/ITDH	
	REV: A	
	SHEET	2 OF 4